

## PCPO xH/TETRA/

### Outdoor Left or Right Hand Circularly Polarized Patch Antennas for mounting on Wall or Mast

#### Beschreibung

- Low-profile antenna for the 380 - 470 MHz band.
- PCPO xH/TETRA/... is a Left or Right Hand Circularly Polarized patch antenna for outdoor use.
- Circular polarization is chosen to avoid out-of-phase signals.
- Reduces flutter considerably.
- Covers approx. 50 MHz with a radiation of approx. 7 dBic.
- The antennas are carefully sealed with a discrete cover.
- The connector is placed at one side to enable mounting close to a wall.
- Including wall mounting bracket. PATCH-MAMO and PATCH-WAMO to be ordered separately.



#### BESTELLUNG

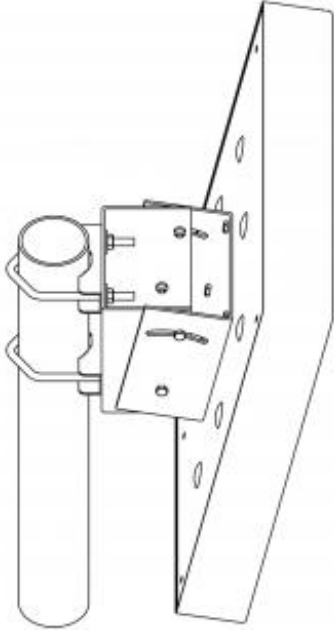
Modell	Produkt Nr	Frequenz
PCPO RH/TETRA/s-f	100000428	380 - 430 MHz
PCPO LH/TETRA/s-f	100000427	380 - 430 MHz
PCPO RH/TETRA/l-h	100000443	430 - 470 MHz
PCPO LH/TETRA/l-h	100000444	430 - 470 MHz
PATCH-MAMO	100000447	
PATCH-WAMO	100000511	

#### SPEZIFIKATIONEN

Elektrisch DE	
Modell	PCPO xH/TETRA/...
Frequenz	380 - 470 MHz covered by two models
Antennentyp	Left or right hand circularly polarized patch antenna
Max. Eingangsleistung	100 W
Polarisation	Zirkular
Öffnungswinkel 3 dB, vertikal	80 °
Öffnungswinkel 3 dB, horizontal	80 °
Impedanz	50 Ω
Gewinn	7 dBic (5 dBd)
VSWR	< 2.0:1
In iBwave	Ja
Mechanisch DE	
Anschlussyp	N(f)
Materialien	Cover: ABS (white) Chassis: Aluminium
Farbe	Marine white
Abmessungen	Approx. 345 x 345 x 60 mm / 13.58 x 13.58 x 2.36"
Windlast	173 N (160km/h)
Gewicht	2.3 kg / 5.07 lb
Montage	For mounting on wall - 5mm dia. (three holes) (see mounting details) or mast on 40 - 55 mm / 1.57 x 2.17" dia. mast tube.
Umwelt	
Betriebstemperaturbereich	-30°C to +75°C
IP Schutzklasse	IP55. The antenna has drain holes

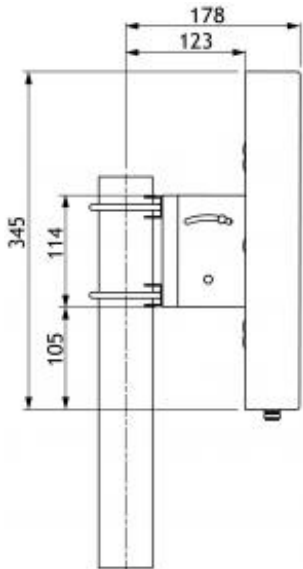
## DIAGRAM

MAST MOUNTING BRACKET: PATCH-MAMO (ORDERED SEPARATELY)

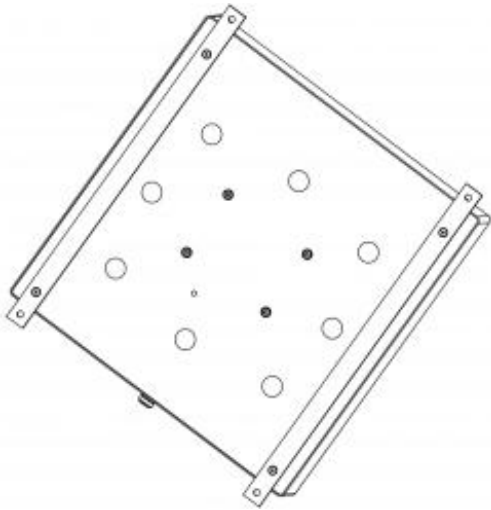


Tilt adjustable from +5°/-30°.

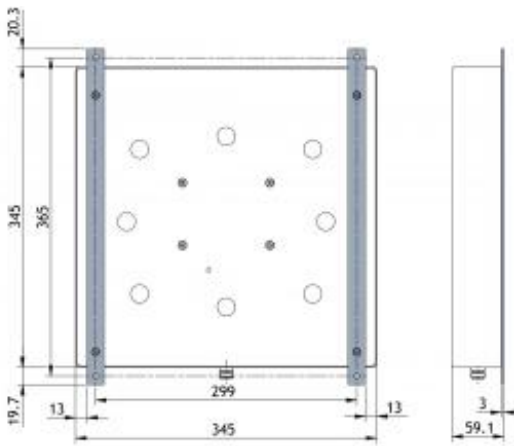
MOUNTING DETAILS (PATCH-MAMO)



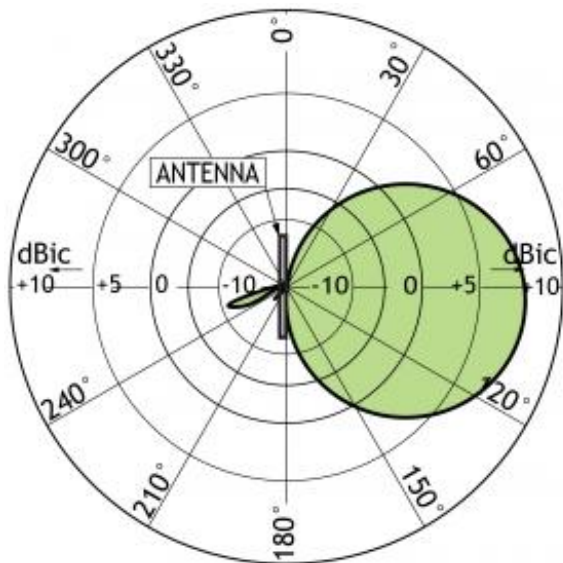
WALL MOUNTING BRACKET: PATCH-WAMO (ORDERED SEPARATELY)



MOUNTING DETAILS (PATCH-WAMO)

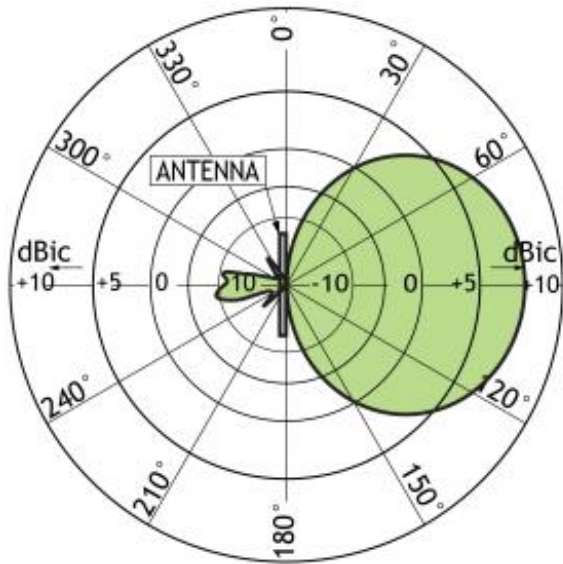


TYPICAL RADIATION PATTERN (E-PLANE)



This curve shows the radiation patterns in the vertical plane.

TYPICAL RADIATION PATTERN (H-PLANE)



This curve shows the radiation patterns in the horizontal plane (horizontal coverage).